

# CREDI - CLEAN

## User Manual



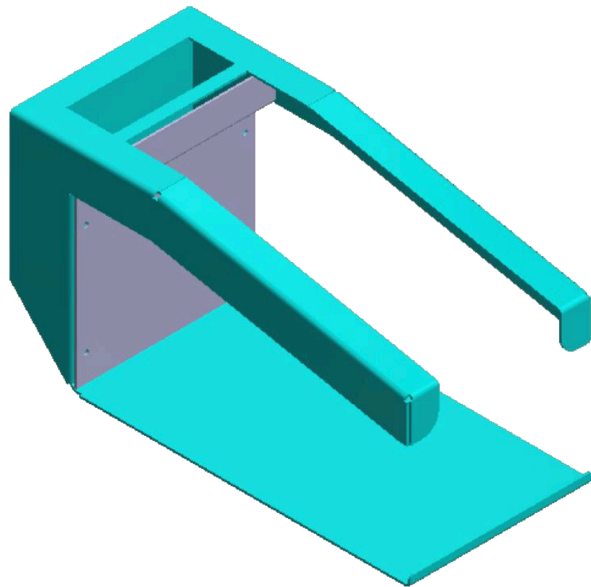
English

# INTRODUCTION

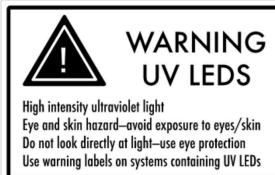
Credi-Clean is a LED UVC germicidal lamp used for Point-of- Sale devices designed to sanitise these high contact zones and is up to 99.99 % effective (log 4). Credi-Clean has a unique and patented motion detection system rendering it safe to be used around living organisms. The principle of sanitisation is based on the CSIR confirmed testing that the timed dosage of UVC radiation destroys the DNA structure of virus and bacteria cells, rendering them inactive.

## Features

- 60 second quick dis-infection time
- Quick and easy installation
- Red light while sanitising, blue/green light when sanitising is complete. No light in sleep mode
- In-built motion sensor to disable device when motion is detected
- Powder coated milled steel, robust and hard wearing design
- High quality and long lamp hour UVC diodes used for ultimate performance
- Universal power supply adapter for AC and DC power inputs

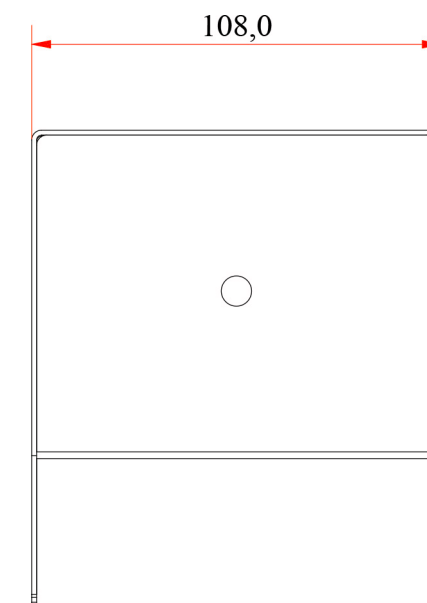
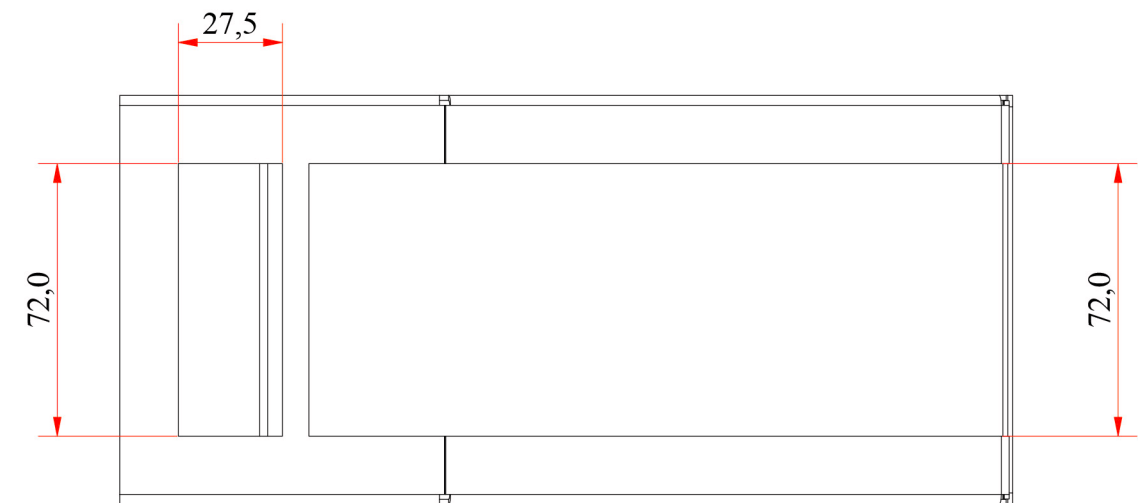
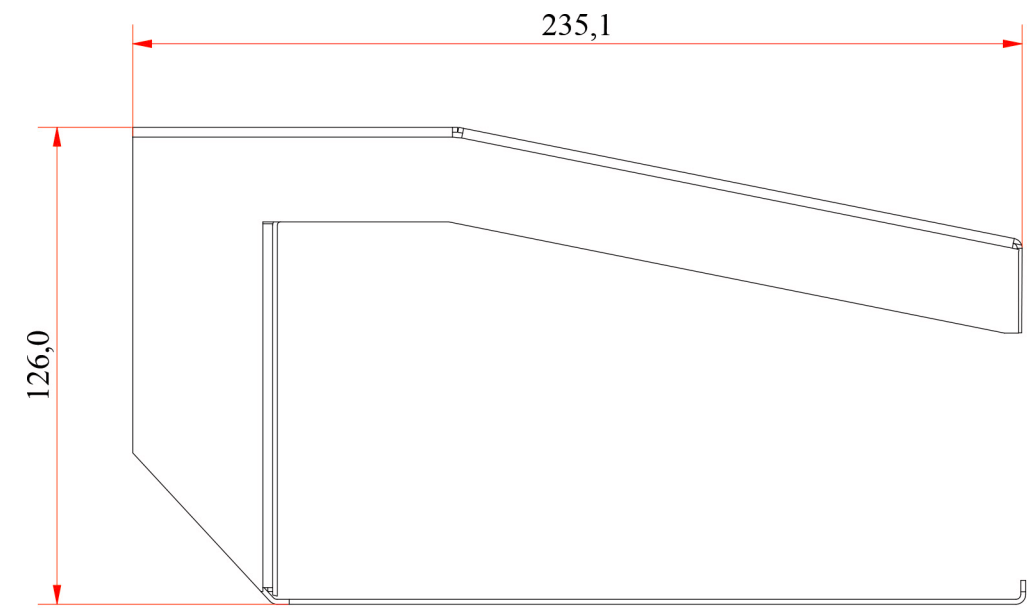


## WARNING



Do not look directly into the LED diodes and avoid prolonged direct contact with skin. Use this product for its intended purpose only and follow the care and maintenance instructions.

# DIMENSIONS (MM)



# CONTENTS

<b>1.</b>	<b>Quick Start Guide</b>	
	Start- up guide .....	5
	Steps 1 -5 .....	5
<b>2.</b>	<b>Parts</b>	
	LCD Display .....	6
	Power Cable Port .....	6
	UVC LED Arm 1 .....	6
	UVC LED Arm 2.....	6
	Cradle Housing .....	6
<b>3.</b>	<b>Installation Instructions</b>	
	Installation .....	7
<b>4.</b>	<b>Modes and Technical Specifications</b>	
	Boot .....	8
	Sanitising.....	8
	Motion Detected .....	8
	Sanitised.....	8
	Sleep .....	8
<b>5.</b>	<b>Trouble Shooting</b>	
	Common issues.....	10

# START- UP GUIDE

## 1. Device

Remove the device from all packaging and place the point of sale device inside the Credi - Clean cradle.

## 2. Power Supply

Plug in the power supply into a suitable power outlet and the device will automatically power on.

## 3. Initiate Boot Sequence

The device will run through a boot sequence and on completion, a red light will display onto the point of sale device. The LCD screen will be on.

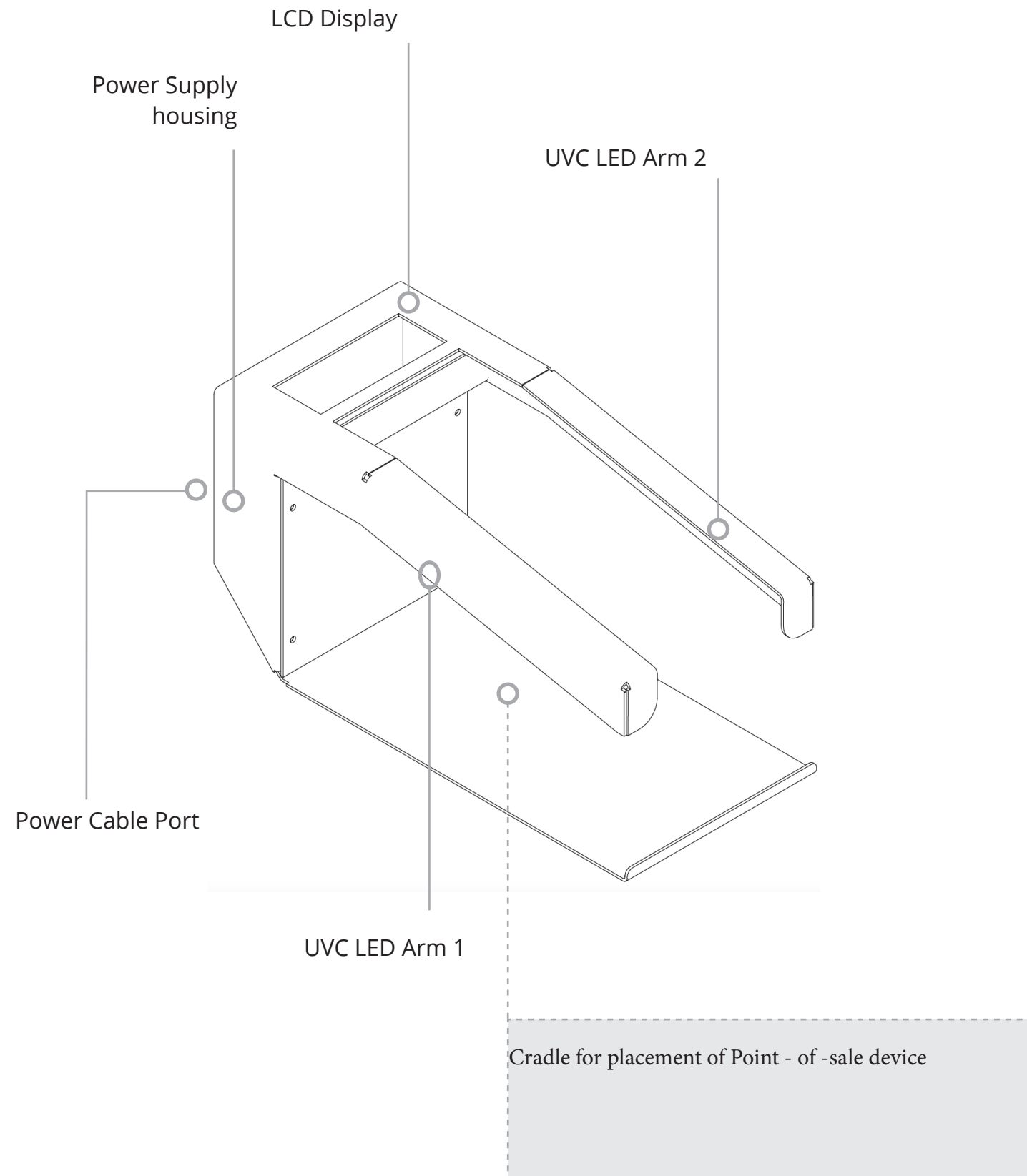
## 4. Sanitising

On start of the sanitising sequence, the red light will be constant indicating the device is sanitising the area. "Sanitising" will be displayed on the LCD. On completion the red light will turn green and the LCD will display "Sanitising Complete".

## 5. Motion Check

When displaying a red light, verify that the motion sensor is working by quickly placing an object or hand under the arms of the device to ensure the motion sensor is activated. The red light will switch off when the UVC is deactivated.

## PARTS



## INSTRUCTIONS

### Installation on a Desktop/ Podium

#### 1. Podium Installation

Remove the bracket attached to the point of sale device used to attach the point of sale device to the podium. .

#### 2. Attach Brackets

Attach the bracket to the bottom of SALS CC2.0 by using any of the predetermined set of mounting points on SALS CC2.0

#### 3. Mount Brackets

Mount the SALS CC2.0 back on the podium using the attached bracket.

#### 4. Attach to Point of Sale Device

Place the point of sale device into SALS CC2.0  
Attach the power cord to SALS CC2.0 and allow it to finish the boot sequence

# MODES

In order to comply with the highest safety standards, several modes have been built into Credi-Clean.

## Modes Sequence

- Boot Mode**

On plugging the device into a power supply, the boot sequence will start automatically.

- Function Modes**

The device has various function modes which include sanitising, deactivation of sanitising when motion is detected, sanitised and sleep mode. Sleep mode is activated after a period of 5 minutes when no motion is detected, the LCD will remain active. In order to activate the device again, hold your hand or an object under the device in order to activate sanitising mode.

Mode	Description
<b>Boot</b>	Commences once a power supply has been plugged in.
<b>Sanitising</b>	Commences once the boot mode has completed, indicated by a constant red light.
<b>Motion Detected</b>	A safety feature which cancels the sanitization process and halts the sanitization process. IMPORTANT: if this process is interrupted, the area in question will not be sanitised.
<b>Sanitised/ Standby</b>	After the area is sanitised, a green light will appear on the surface area. The unit goes into standby mode after sanitising, waiting up to 5 minutes for the next interaction.
<b>Sleep</b>	If no further interaction is detected, the unit will enter into sleep mode shutting down the power supply to the LED lights. Once the unit detects motion again, the sanitise mode will be re-activated. While in sleep mode, the LCD will remain on.

# TECHNICAL SPECIFICATIONS

## Category

<b>Product Name</b>	Credi-Clean TM
<b>Model</b>	SALS CC 2.0
<b>LED UVC Diodes</b>	10
<b>Power Supply Specification</b>	<ul style="list-style-type: none"> <li>• Input 110- 240 V = 5 A</li> <li>• 50- 60 Hz</li> <li>• Power: aa W</li> <li>• Input connector: IEC</li> <li>• Output connector: 2.5mm DC Jack Plug</li> <li>• Output: 12V DC - 5A</li> </ul>
<b>Net Weight</b>	1200g
<b>UVC LED Life</b>	10 000 hours
<b>Wavelength</b>	265 - 273 nm

## In the Box

<b>Credi -Clean</b>	Powder coated mild steel Cred-Clean sanitising device
<b>Manual</b>	User manual
<b>UVC LED Life</b>	10 000 hours

## Temperature

<b>Operating Temperature</b>	0 - 45 degrees Celsius
<b>Storage Temperature</b>	-5 - 40 degrees Celsius

## ■ TROUBLE SHOOTING

- If the unit does not exit any of the modes in the determined times, unplug the power supply, wait for 20 seconds and reinsert the power supply. If this does not resolve the issue, please contact your local supplier.

## ■ SAFETY WARNING

Do not look directly into the LED diodes and avoid prolonged direct contact with skin. Use this product for its intended purpose only and follow the care and maintenance instructions.

### Preventing Serious Injury or Equipment Damage

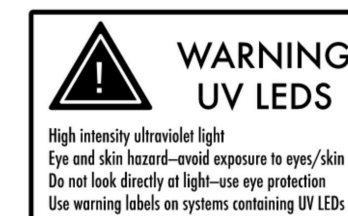
- Please read the instruction manual before attempting to use and or install this device.
- Do not stare at the UVC light as this may cause retina damage and or discomfort
- Do not expose this device to the eyes.
- Do not expose UVC (indicated by a red light) to skin for longer than a period of 1 -2 seconds and only when necessary to activate the motion sensor.
- The product should be kept in a dry and well-ventilated environment.
- Keep the product away from children and animals.
- The working voltage must be compatible with the product.
- The protective packaging should be used when transporting the product to avoid damage.
- Do not expose the device to direct sunlight, open flames or liquids.
- Device not designed to function in water or wet environments.

### Warranty

Thank you for choosing to purchase a SAL Systems (PTY) Ltd product. In order to provide you with the best experience possible, we are able to provide you with an after-sales service in accordance with the laws and regulations governed by the county in which the product was purchased.

Circumstances which do not cover warranty include:

- The warranty has expired.
- Damage resulting from incorrect usage and application of the product.
- Removal of the warranty void sticker or tampering with the device.
- 12 month warranty or as per signed service level agreement with a bulk order.
- Extended warranty available, contact your local distributor.



# Technical Support

SAL Systems South Africa

Jonathan O' Connell  
Tel: +2776 190 3452  
Email: [sales@salsystems.co.za](mailto:sales@salsystems.co.za)  
[www.salsystems.biz](http://www.salsystems.biz)

CREDi-Clean UK

Stephen King  
Tel: +44 (0) 7951 917024  
Email: [stephen@crediclean.co.uk](mailto:stephen@crediclean.co.uk)

Aidan Conlin  
Tel: +44 (0) 7575 898566  
Email: [aidan@crediclean.co.uk](mailto:aidan@crediclean.co.uk)  
[www.credi-clean.co.uk](http://www.credi-clean.co.uk)

SAL SYSTEMS AUSTRALIA

Steven van Niekerk  
Tel: +61 (0)405 280 238  
[steven@salsystems.com.au](mailto:steven@salsystems.com.au)

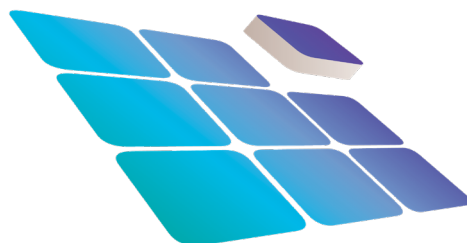
Warren McNey  
Tel: +61 (0)428 047 975  
[warren@salsystems.com.au](mailto:warren@salsystems.com.au)

[www.salsystems.com.au](http://www.salsystems.com.au)

SAL Systems Vancouver, British Columbia

Canada

Toffee Zanato  
Tel: +1 778 968 0474  
[toffee@salsystems.ca](mailto:toffee@salsystems.ca)  
[www.salsystems.ca](http://www.salsystems.ca)



**SAL Systems**

MAKING LIFE BETTER

**SAL Systems (PTY) Ltd**

Tel.: +2776 190 3452

[support@salsystems.co.za](mailto:support@salsystems.co.za) • [www.salsystems.biz](http://www.salsystems.biz)